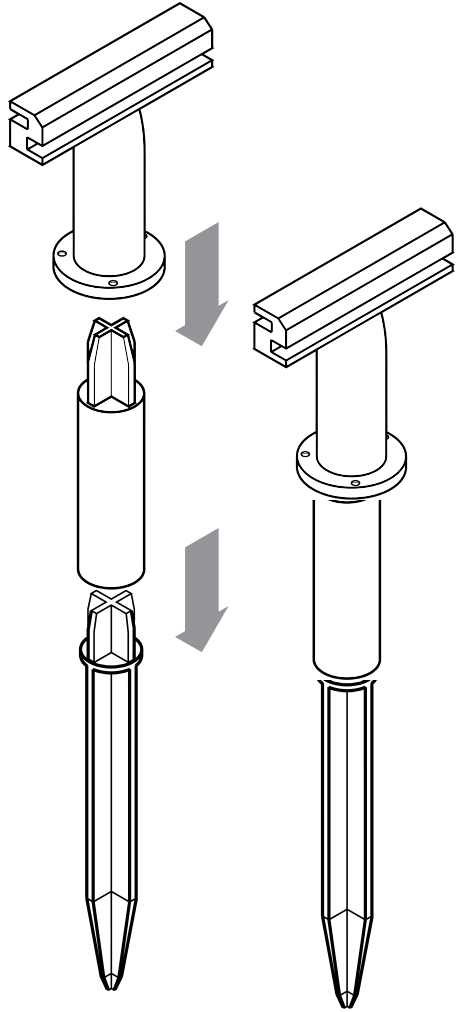
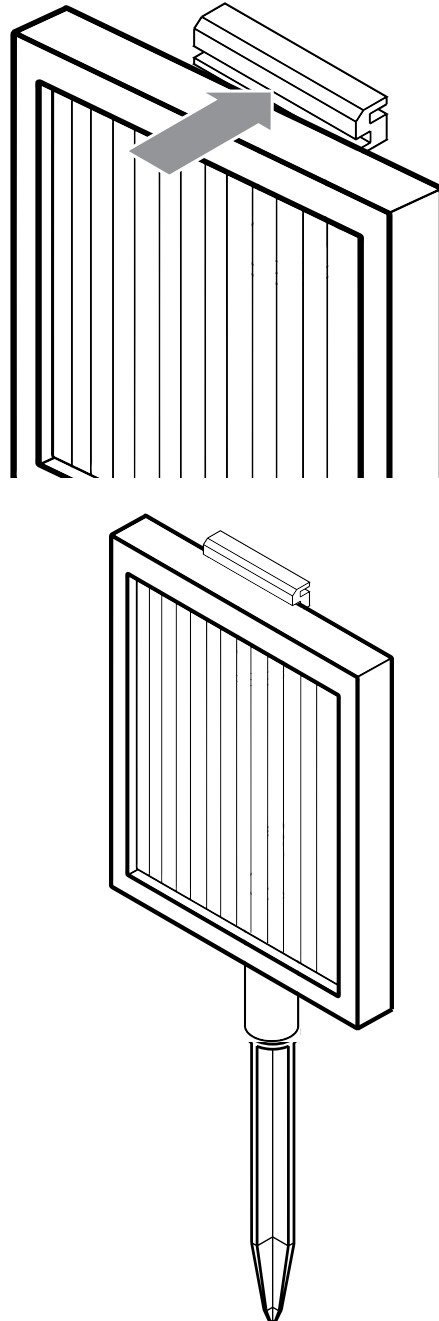


## Solar Panel Assembly

### Step 1



### Step 2



## Connecting Solar Panel to Rechargeable Battery

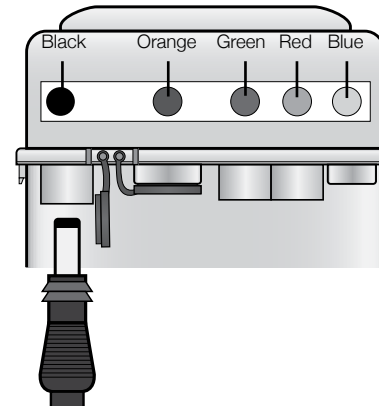
**NOTE: Fountain and battery are not included with solar panel assembly.**



**Step 1:** Remove the compartment door on your fountain.

**Step 2:** Connect the solar panel cable to the battery using the diagram below.

**Step 3:** Close the compartment door, leaving the cord of the solar panel coming out of the small opening in the compartment door.



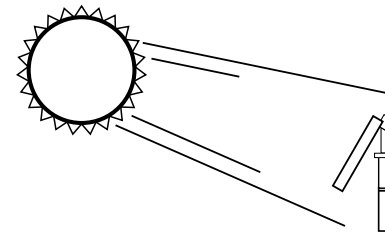
**Connect the black cord of the solar panel to the black labeled receptacle.**

## Solar Panel Installation

**Make sure to place the solar panel in a spot that gets plenty of sun to power your fountain.**

Push the stake assembly into soft dirt until the stake assembly, with solar panel attached, can securely stand upright.

**Always angle the solar panel towards the sun to maximize exposure to sunlight required to power the fountain.**



To ensure optimal power and sunlight hitting your fountain's solar panel, you may need to rotate or turn the solar panel towards the sun throughout the day.

# Solar Panel Instructions

**BERNINI**<sup>TM</sup>  
F O U N T A I N S

**BERNINI**<sup>TM</sup>  
F O U N T A I N S